



CrystalView EX DVI dual port  
multi-head model in mini chassis

- ▶ Extends up to four uncompressed DVI video and USB 2.0 signals up to 330ft (100m) over CATx cables
- ▶ Resolution up to 1920x1200@60Hz
- ▶ Provides high speed USB 2.0 ports with up to 40 Mbps throughput each
- ▶ Supports audio via USB or optional dedicated channel
- ▶ Transparent USB provides true plug and play extension of USB 2.0 and 1.1 devices

## Features and Benefits

- Available as multi-unit (each video has USB extension), multi-head (only one video has USB extension), or video-only (no USB)
- Uncompressed video extension provides uncompromised quality at resolutions of 1920x1200@60Hz, 1920x1080@60Hz, and others
- Supports USB 2.0 at speeds to 40 Mbps and USB 1.1 and 1.0 at speeds from 1.5 to 12 Mbps
- Compatible with USB host ports: xHCI (USB 3.0), EHCI (USB 2.0), and OHCI/UHCI (USB 1.1)
- Compatible with Windows, OS-X, and Linux
- Transparent USB provides plug-and-play installation with no configuration required
- Remote USB ports provide 500mA each
- Two chassis styles: mini and wide
- Options include: bi-directional analog audio and RS-232
- USB 2.0 audio devices are supported
- Optional locking DC power supplies
- Optional rackmount kit

## Product Overview

The CrystalView EX DVI Multi models are high performance KVM extenders. The product transports multiple uncompressed DVI video and USB 2.0 signals up to 330ft (100m) over CATx cables. They are used in a variety of commercial, industrial, military, residential, medical, data center, retail, hospitality, presentation, and other environments.

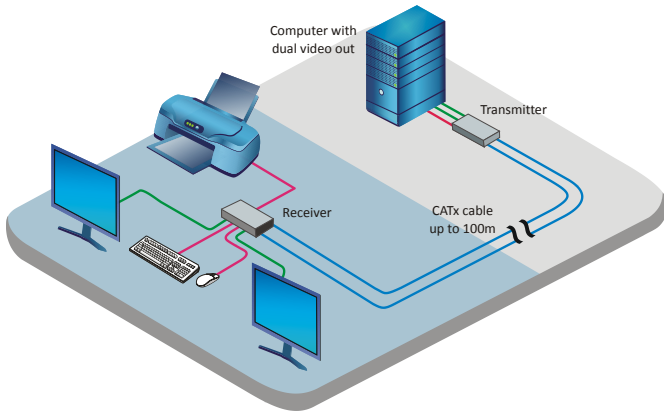
The extenders enable the computers to be placed in tamper-proof secure locations with optimized power and cooling. This also brings displays and devices to convenient locations near the users. Place them in your environment to extend computers for CAD operation, kiosks, conference room and auditorium uses, medical equipment, touchscreen digital signage, and many other applications.

Multi-unit models are used to aggregate several DVI+USB extensions into one chassis. Multi-head models extend multiple video outputs and one USB only. They are intended for use with computers operated by only one user. The video-only models omit any USB functions and extend the video only.

The product is also available as a single-port unit in either the mini chassis or a compact chassis (see separate datasheet). The single-port and multi-port units can be paired together, using the multi units where the equipment is clustered and using the single units where the equipment is spread out.

## Typical Application

The CrystalView EX DVI Multi extenders consist of a Transmitter unit and a remote Receiver unit connected by up to 330 feet (100 m) of CATx cable. Use one CATx cable per video port.



**Installation** Installing the CrystalView EX DVI Multi extenders is very straightforward. For each set of video and USB (where present):

1. Transmitter video connects to computers with DVI male-to-male cables.
2. Each Transmitter USB connects to computers with one standard USB A-B cable. USB ports can be either USB 3.0, 2.0, or 1.1 computer host ports.
3. Receiver video connects to displays with DVI male-to-male cables.
4. Receiver USB devices plug in directly to the USB type A receptacles of the Receiver. Powered USB hubs can also connect to these ports to increase USB devices beyond three.
5. Connect CATx cables between the Transmitter and Receiver RJ45 link ports.
6. Connect the supplied power adapters to the transmitter and receiver units.

## Specifications

<b>Dimensions (W × D × H)</b>	Mini: 8.8" × 4.85" × 1.75" 223 × 123 × 44 mm Wide: 16.7" × 4.85" × 1.75" 424 × 123 × 44 mm
<b>Weight</b>	Mini chassis: 4.4 lb (2 kg) Wide chassis: 6 lb (2.7 kg)
<b>Power</b>	100-240 VAC 50-60Hz External adapter (1 or 2), +5V, 4A, grounded Dual: 15W Triple: 30W Quad, 45W
<b>Maximum Resolution</b>	Uncompressed 1920x1200@60Hz
<b>Color</b>	24-bit color
<b>Latency</b>	Less than 1ms
<b>USB speed</b>	USB 2.0: up to 40Mbps USB 1.1: 1.5 to 12Mbps
<b>USB host</b>	xHCI (USB 3.0), EHCI (USB 2.0), OHCI/UHCI (USB 1.1)
<b>USB hubs</b>	Up to 4 hubs per single chain
<b>USB devices</b>	Maximum of 30 USB devices per Receiver port
<b>USB power</b>	500 mA per USB port at the Receiver
<b>Connectors for each port</b>	<b>Common to transmitter and receiver:</b> Video: 1 × DVI female Link port: 1 × RJ45 jack Power: 1 × or 2 × 1.7mm barrel jack Audio in: 1 × 3.5mm jack (optional) Audio out: 1 × 3.5mm jack (optional) Serial: 1 × DB9 Female (optional) <b>Transmitter:</b> USB(when present): 1 × Type B receptacle <b>Receiver:</b> USB(when present): 3 × Type A receptacle
<b>Indicators</b>	Power: Green = powered and ready Link: Green = Link established USB: Green = USB host connected Video: Solid Green = HDCP video signal Blinking Green = non-HDCP video
<b>Environment</b>	Operating temp: 32°F – 104°F (0°C – 40°C) Storage temp: -4°F – 158°F (-20°C – 70°C) Rel. humidity: 20% – 80%, non-condensing
<b>Compliance</b>	FCC Part 15 Class A, CE Class A, ICES-003 Class A, RoHS2 (CE)



CrystalView EX DVI quad port multi-head model in wide chassis with audio option



CrystalView EX DVI compact model

## Part numbers

### CRYSTALVIEW EX DVI MULTI — EXTENDER KITS

Includes transmitter unit, receiver unit, and power supply external adapters

MULTI-UNIT KIT — 2, 3, or 4 DVI+USB				
Part number	DVI	USB	CHASSIS	POWER SUPPLIES
CRK-1DTXT2DM-2T-EX6	2	2	Mini	2
CRK-1DTXT2D-2T-EX6	2	2	Wide	2
CRK-1DTXT3D-3T-EX6	3	3	Wide	3
CRK-1DTXT4D-4T-EX6	4	4	Wide	3

MULTI-HEAD KIT — one USB and 1, 2, 3, or 4 DVI				
Part number	DVI	USB	CHASSIS	POWER SUPPLIES
CRK-1DTXT1DM-EX6	1	1	Mini	2
CRK-1DTXT2DM-EX6	2	1	Mini	2
CRK-1DTXT2D-EX6	2	1	Wide	2
CRK-1DTXT3D-EX6	3	1	Wide	2
CRK-1DTXT4D-EX6	4	1	Wide	2

VIDEO-ONLY KIT — no USB and 1, 2, 3, or 4 DVI				
Part number	DVI	USB	CHASSIS	POWER SUPPLIES
CRK-1DTX01DM-EX6	1	0	Mini	2
CRK-1DTX02DM-EX6	2	0	Mini	2
CRK-1DTX02D-EX6	2	0	Wide	2
CRK-1DTX03D-EX6	3	0	Wide	2
CRK-1DTX04D-EX6	4	0	Wide	2

### CRYSTALVIEW EX DVI MULTI — TRANSMITTER ONLY

Includes transmitter unit and power supply external adapter

MULTI-UNIT TRANSMITTER — 2, 3, or 4 DVI+USB				
Part number	DVI	USB	CHASSIS	POWER SUPPLIES
CRV-SLDTXT2DM-2T-EX6	2	2	Mini	1
CRV-SLDTXT2D-2T-EX6	2	2	Wide	1
CRV-SLDTXT3D-3T-EX6	3	3	Wide	1
CRV-SLDTXT4D-4T-EX6	4	4	Wide	1

MULTI-HEAD TRANSMITTER — one USB and 1, 2, 3, or 4 DVI				
Part number	DVI	USB	CHASSIS	POWER SUPPLIES
CRV-SLDTXT1DM-EX6	1	1	Mini	1
CRV-SLDTXT2DM-EX6	2	1	Mini	1
CRV-SLDTXT2D-EX6	2	1	Wide	1
CRV-SLDTXT3D-EX6	3	1	Wide	1
CRV-SLDTXT4D-EX6	4	1	Wide	1

VIDEO-ONLY TRANSMITTER — no USB and 1, 2, 3, or 4 DVI				
Part number	DVI	USB	CHASSIS	POWER SUPPLIES
CRV-SLDTX01DM-EX6	1	0	Mini	1
CRV-SLDTX02DM-EX6	2	0	Mini	1
CRV-SLDTX02D-EX6	2	0	Wide	1
CRV-SLDTX03D-EX6	3	0	Wide	1
CRV-SLDTX04D-EX6	4	0	Wide	1

## CRYSTALVIEW EX DVI MULTI — RECEIVER ONLY

Includes receiver unit and power supply external adapter(s)

MULTI-UNIT RECEIVER — 2, 3, or 4 DVI+USB				
Part number	DVI	USB	CHASSIS	POWER SUPPLIES
CRV-SRDTXT2DM-2T-EX6	2	2	Mini	1
CRV-SRDTXT2D-2T-EX6	2	2	Wide	1
CRV-SRDTXT3D-3T-EX6	3	3	Wide	2*
CRV-SRDTXT4D-4T-EX6	4	4	Wide	2*

\*3-port and 4-port receiver units require two power supplies due to increased USB current

MULTI-HEAD RECEIVER — one USB and 1, 2, 3, or 4 DVI				
Part number	DVI	USB	CHASSIS	POWER SUPPLIES
CRV-SRDTXT1DM-EX6	1	1	Mini	1
CRV-SRDTXT2DM-EX6	2	1	Mini	1
CRV-SRDTXT2D-EX6	2	1	Wide	1
CRV-SRDTXT3D-EX6	3	1	Wide	1
CRV-SRDTXT4D-EX6	4	1	Wide	1

VIDEO-ONLY RECEIVER — no USB and 1, 2, 3, or 4 DVI				
Part number	DVI	USB	CHASSIS	POWER SUPPLIES
CRV-SRDTX01DM-EX6	1	0	Mini	1
CRV-SRDTX02DM-EX6	2	0	Mini	1
CRV-SRDTX02D-EX6	2	0	Wide	1
CRV-SRDTX03D-EX6	3	0	Wide	1
CRV-SRDTX04D-EX6	4	0	Wide	1

## CRYSTALVIEW EX DVI COMPACT UNITS

For more details, see separate datasheet at [www.rose.com](http://www.rose.com)

TRANSMITTER OR RECEIVER — always come with 1 DVI and 1 USB				
Part number	DVI	USB	CHASSIS	POWER SUPPLIES
CRK-1DTXT-EX6 (kit w/ xmit & rcvr))	1	1	Compact	2
CRV-SLDTXT-EX6 (transmitter)	1	1	Compact	1
CRV-SRDTXT-EX6 (receiver)	1	1	Compact	1

## OPTIONS and ACCESSORIES

OPTIONS (fitted on multi TX and RX units)	
/A2	Bi-directional Audio
/S	Serial RS232
/AS	Bi-directional Audio + Serial

ACCESSORIES	
CAB-DVIMMnnn	DVI male to male cable, nnn = length
CAB-USBABnnn	USB type A/B cable, nnn=length
RM-UM19	Rackmount kit for mini chassis
RM-UB19	Rackmount kit for wide chassis
RM-CRV-EX/19	Rackmount kit for compact chassis (holds 2 units, side-by-side)
RM-CRVEX/CP	Blanking plate for compact chassis rackmount kit
RM-UD/CRV-EX	Under desk bracket for compact chassis
TFR-05D400FSUB-1.7F	Replacement power supply for multi transmitter or receiver
TFR-05D300FSUB-1.7F	Replacement power supply for compact transmitter or receiver

[WWW.ROSE.COM](http://WWW.ROSE.COM) ▪ [sales@rose.com](mailto:sales@rose.com) ▪ (800) 333-9343

Rose Electronics ▪ 10707 Stancliff Road ▪ Houston, Texas 77099

Rose USA (281) 933-7673 ▪ Rose Europe +49 (0) 2454 969442

Rose Asia +65 6324 2322 ▪ Rose Australia +61 (0) 421 247083

datasheet-crystalview-ex-dvi-multi-2017-09-05

 **ROSE**  
ELECTRONICS  
[WWW.ROSE.COM](http://WWW.ROSE.COM)